



Instructions for Design Version - FAB-1100 Blower Kit



WARNING

RISK OF FIRE AND ELECTRICAL SHOCK!

TURN OFF THE GAS AND ELECTRICAL POWER BEFORE INSTALLING BLOWER!

When installed, make sure to contain any excess wire of the cord set; Preventing it from making contact with moving or hot objects.

Drywall dust or other fragments may be present in your fireplace's vent space, clean this area before you install the blower kit. Any bearing or motor damage resulting from this condition is not covered by the warranty policy.

This Blower Kit is tested and safe when installed in accordance with these installation instructions. It is your responsibility to read all instructions and consult the Owner's Installation Manual for your particular model number for Supplemental Information before starting installation. Blower operates on 120V/60Hz power.

Blower Kit Parts

Check the contents of the carton.
Make sure nothing was damaged in shipment.
Do NOT install a damaged blower kit!

Description	Qty.
Blower - Magnetic Mount	1
Power Cord	1
3-Prong to 2-Prong Adapter	1
Small Ground Screw	1
Installation Instructions (Downloadable)	1

Step 1: Turn Off Fireplace and allow it to cool down. Disconnect from 120V Power. Shut off the Gas supply. Remove the louver which covers the lower vent space below the firebox.

Lay out cord set in a straight line, with the 3-Prong Power Plug furthest away from the fireplace.

Step 2: Connect black and white wires of cord set to either metal spade attached to motor; push disconnects onto the metal tabs. Use small screw to ground ring terminal to small hole on end of fan. (Figure: 1)

Position blower with rectangle air exit ports facing up and motor facing left.



Figure: 1 • Does not matter which metal tab you connect the black and white wires to.



Step 3: In most cases, the blower can simply be positioned in the center near the back wall.

Position blower 1/8" to 1/4" from back wall of fireplace. (Figures: 2 & 3)

Some appliances are fitted with a blower shield preventing access to the back wall of the appliance. In this case remove the shield, place the blower, complete its installation, then replace the shield.

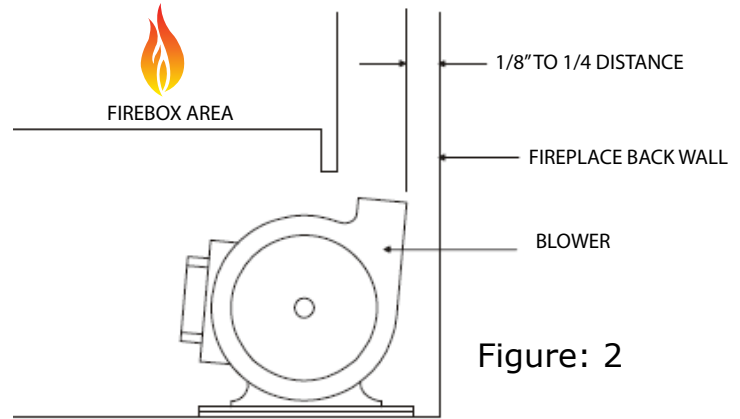


Figure: 2

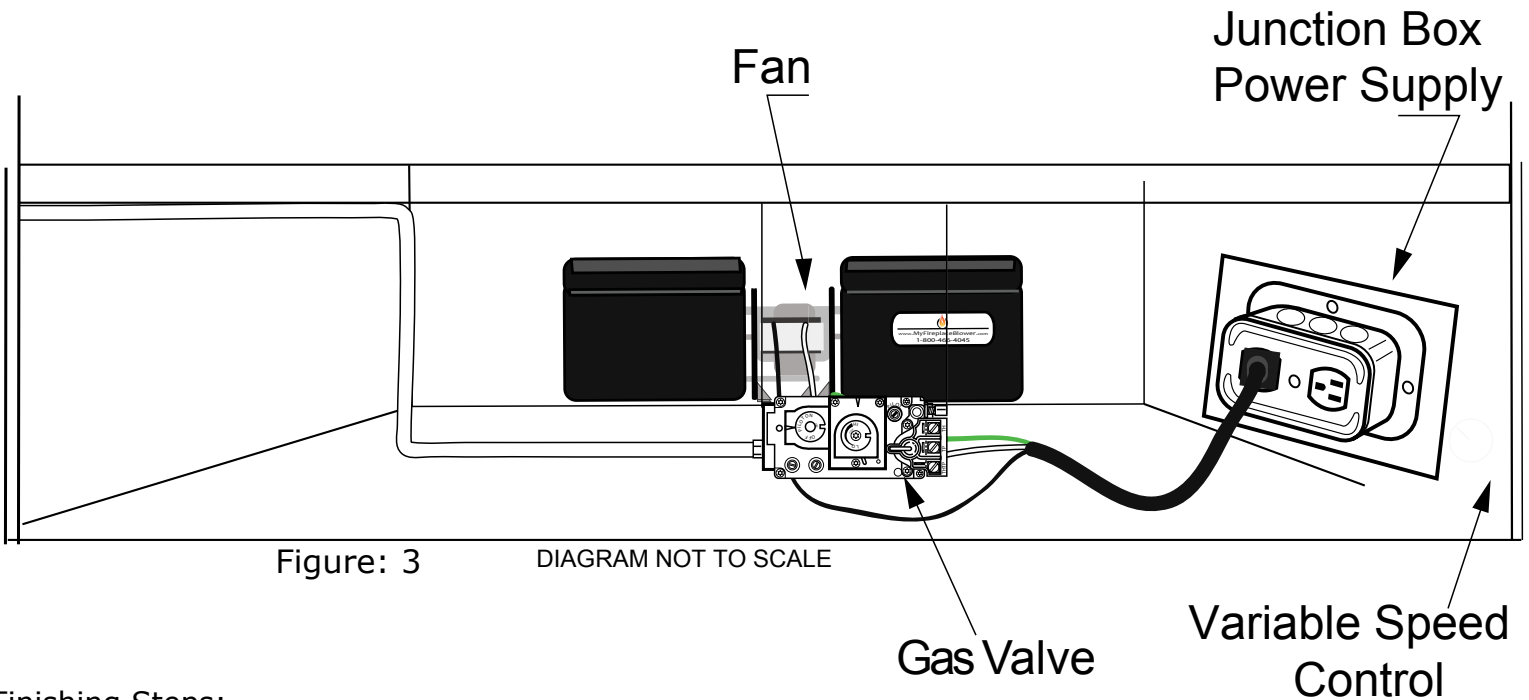


Figure: 3

DIAGRAM NOT TO SCALE

Finishing Steps:

If appliance is connected to a gas supply, turn it back on.

If Appliance is connected to 120 Volt Power, turn it back on.

My Fireplace Blower LLC produces and sells aftermarket fireplace blower kits; which require consultation of an Owner's Installation Manual from the Manufacturer of a particular fireplace model number for installation. During Installation of a fireplace blower kit or replacement blower, refer to the Owner's Installation Manual for your particular fireplace model to obtain supplemental information. My Fireplace Blower LLC is not responsible for any damage incurred during installation or resulting from installation of a fireplace blower kit, which was directed and/or conducted from the information within this document.

Installations in Canada must conform to the current CAN/CGAB-419.1 and .2 Gas Installation Code and local regulations. When installing the blower fan kit, it must be electrically grounded in accordance with CSA C22.1 Canadian Electrical Code Part 1 and/or Local Codes.

Installations in the USA must conform to local codes, or in absence of local codes or the National Fuel Gas Code, ANSI Z223.1-1988. When installing the blower fan kit, it must be grounded in accordance with local codes, or in absence of local codes, with the National Electrical Code, ANSI/NFPA 70-1987.