



Instructions for Design Version - UFK Fan Kit



WARNING

RISK OF FIRE AND ELECTRICAL SHOCK!

TURN OFF THE GAS AND ELECTRICAL POWER BEFORE INSTALLING BLOWER!

When installed, make sure to contain any excess wire of the cord set; Preventing it from making contact with moving or hot objects.

Drywall dust or other fragments may be present in your fireplace's vent space, clean this area before you install the blower kit. Any bearing or motor damage resulting from this condition is not covered by the warranty policy.

This Blower Kit is tested and safe when installed in accordance with these installation instructions. It is your responsibility to read all instructions and consult the Owner's Installation Manual for your particular model number for Supplemental Information before starting installation. Blower operates on 120V/60Hz power.

Blower Kit Parts

Check the contents of the carton.
Make sure nothing was damaged in shipment.
Do NOT install a damaged blower kit!

Description	Qty.
Fan	2
Cord Set	1
Variable Speed Control	1
ON / OFF Switch	1
Mounting Hardware Packet	1
Installation Instructions (Downloadable)	1

The fans are mounted over holes with a 4 1/4 - 5 1/4 inch diameter. Mounting holes are 4 1/8 inches apart on center, equal distance on all sides. (Figures: 1&4)

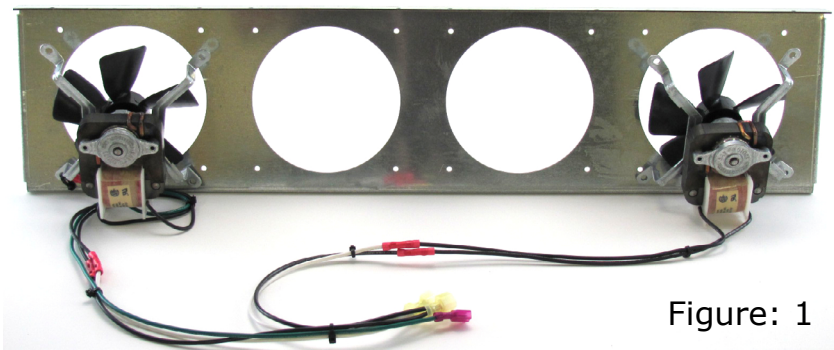


Figure: 1

Step 1: Turn Off Fireplace and allow it to cool down. Disconnect from 120V Power. Shut off the Gas supply, if applicable. Remove the louver which covers the lower vent space below the firebox.

Figure: 2 shows how the fans included are typically mounted under a fireplace, there should be a pre-existing mounting bracket.



Figure: 2



Step 2: Cut black plastic tie which holds ground wire to mounting bracket eye-hole. Make sure to screw the ground wire ring terminal between screw and mounting bracket to metal mounting surface. (Figures: 3&5)

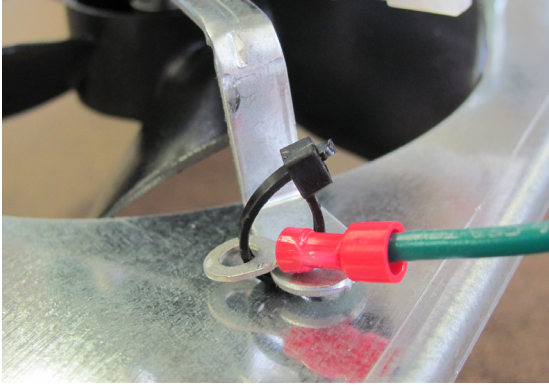


Figure: 3

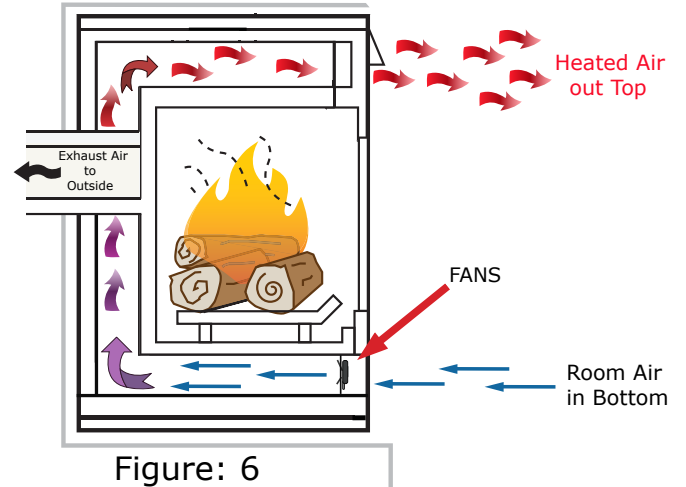


Figure: 6

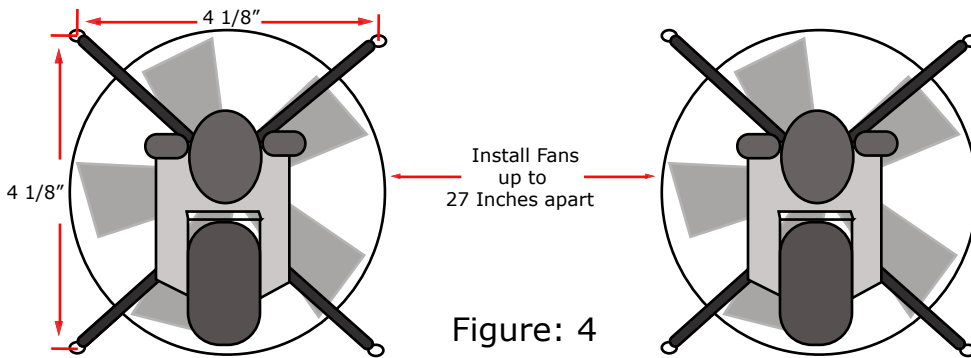


Figure: 4

Step 3: Install ON/OFF Rocker switch in rectangular knockout hole. This will require you to pull wires off ON/OFF switch and then put back on after switch is inserted in hole. (Figure: 7)

Use eight 10-16x1/2 self-tapping screws to mount fans. (Figures: 4 & 6)

- Secure Ground ring terminal between screw and mounting bracket. (Figure: 5)

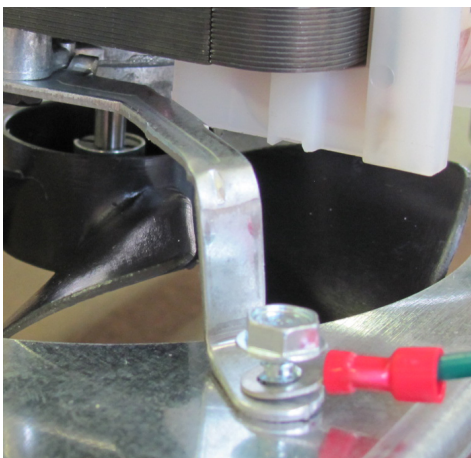


Figure: 5

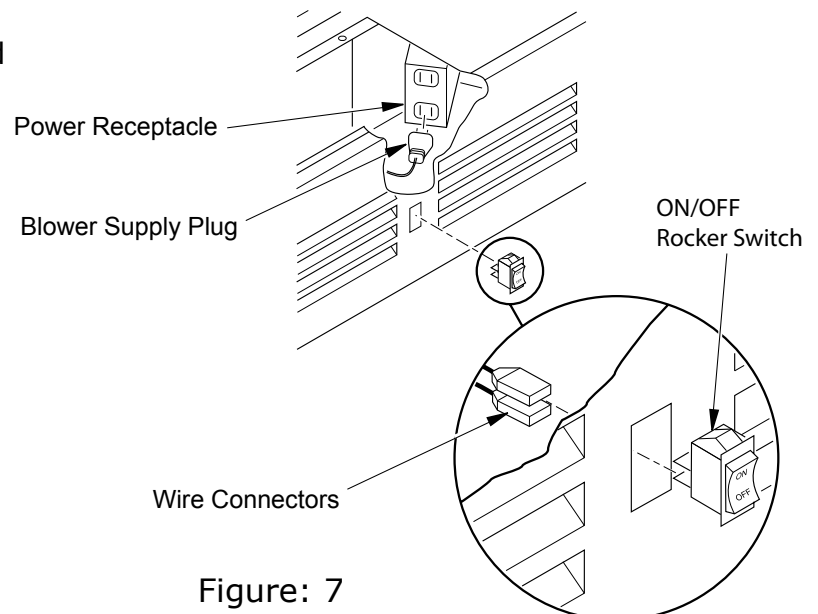


Figure: 7

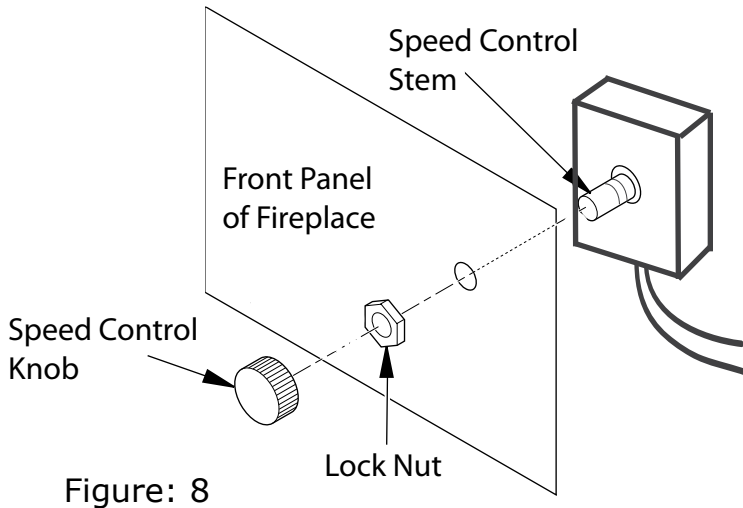


Figure: 8

Finishing Steps:

If appliance is connected to a gas supply, turn it back on.

If Appliance is connected to 120 Volt Power, turn it back on.

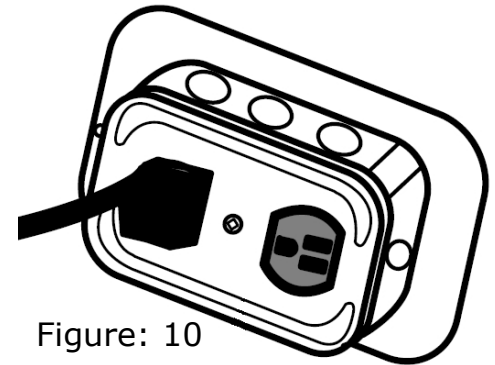


Figure: 10

Step 6: Remove Lock Nut from speed control stem and mount speed control from behind front panel of fireplace. (Figure: 8)

Step 7: Plug 3-Prong Plug into Junction Box (120v power supply). (Figure: 10)

•Wiring Diagram for this Blower Kit is illustrated in Figure: 9.

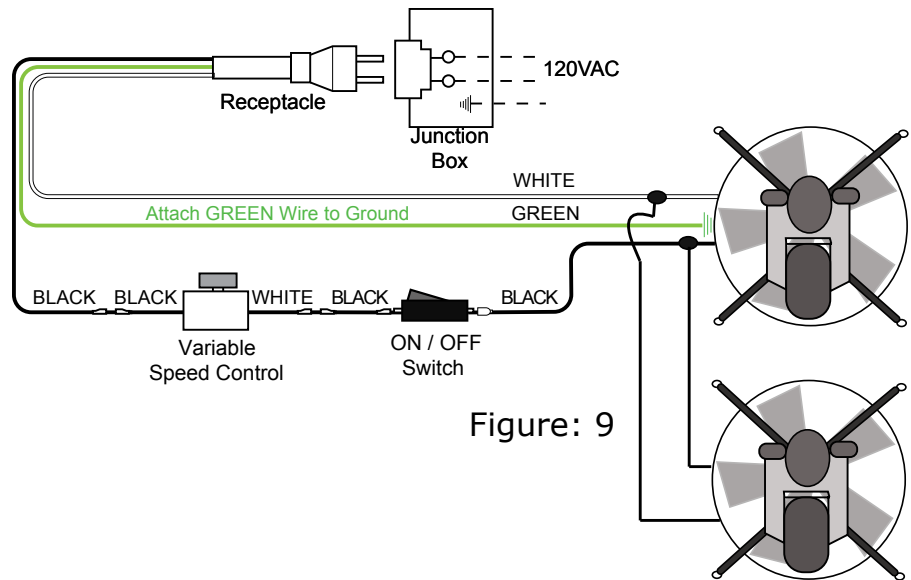


Figure: 9

My Fireplace Blower LLC produces and sells aftermarket fireplace blower kits; which require consultation of an Owner's Installation Manual from the Manufacturer of a particular fireplace model number for installation. During Installation of a fireplace blower kit or replacement blower, refer to the Owner's Installation Manual for your particular fireplace model to obtain supplemental information. My Fireplace Blower LLC is not responsible for any damage incurred during installation or resulting from installation of a fireplace blower kit, which was directed and/or conducted from the information within this document.

Installations in Canada must conform to the current CAN/CGAB-419.1 and .2 Gas Installation Code and local regulations. When installing the blower fan kit, it must be electrically grounded in accordance with CSA C22.1 Canadian Electrical Code Part 1 and/or Local Codes.

Installations in the USA must conform to local codes, or in absence of local codes or the National Fuel Gas Code, ANSI Z223.1-1988. When installing the blower fan kit, it must be grounded in accordance with local codes, or in absence of local codes, with the National Electrical Code, ANSI/NFPA 70-1987.